

BY PROMOVEC

# CONTROLLER DOWNTUBE 1

Type **Downtube 1**  
 Motor code **Front + rear**

## SPECIFICATIONS

Voltage **36V**  
 Power rating **250W**  
 Light output **6V, 0,4A**  
 Brake cut off support **Yes**  
 BB pedal sensor type **Speed**  
 Display protocol **v1**  
 Speed limit **25 km/t**  
 Walk-assist **Yes**  
 Throttle function **Yes**

## WIRING

Battery connection **Length: Connector**  
**Integrated**  
 BB sensor connector **Integrated 5 pin circular**  
 Display connector **Integrated V1**  
 Brake cut off + light **Integrated 3 pin circular**  
 Motor connection **Integrated 9 pin circular**

## MOUNTING

Downtube **50630**  
 Downtube 1 frame from catalogue

## TESTS & SPECIFICATION

IP **IP54**  
 Certifications **CE / EN 15194**  
**/ REACH / ROHS**

## BATTERY INFORMATION

Battery type **Downtube 1**  
 Battery communication **Yes and No**

## OPTIONS

Wheel size **26", 28", 29"**  
 Driving mode **Speed / ECO**

## COMPATIBLE MOTORS

**50080-3, 50275-2**  
**50742, 50710, 50704**  
**50971, 50609-1-BL**  
**50750**

## COMPATIBLE SENSORS

**50960, 50920, 50587**

## COMPATIBLE DISPLAYS

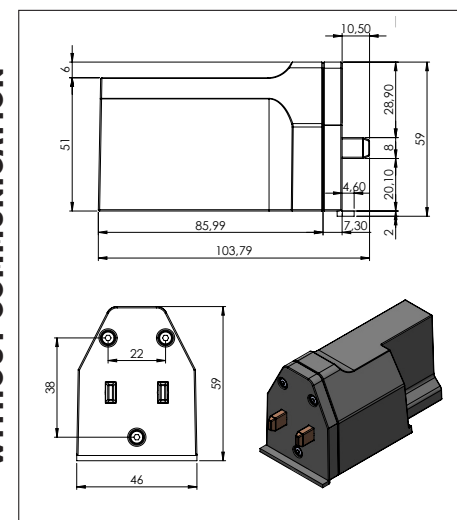
**V1**

## COMPATIBLE BATTERIES

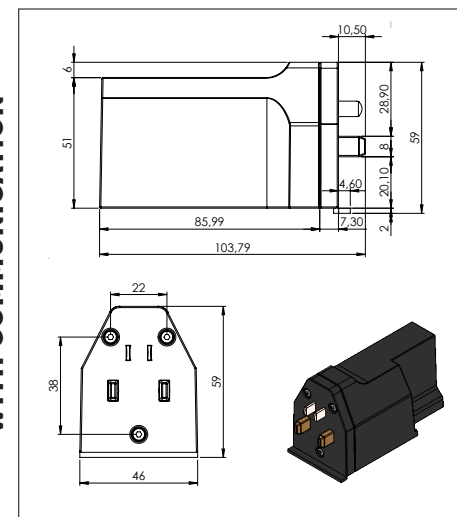
**Downtube 1: 50762**  
**50757, 50759**

## DIMENSIONS

WITHOUT COMMUNICATION



WITH COMMUNICATION



Promovec A/S  
 Brunbjergvej 2  
 DK-8240 Risskov

TEL. +45 7027 2623  
 FAX. +45 7027 2429  
 MAIL info@promovec.dk

Promovec®   
 sustainable e-bikes