

CONTROLLER FOR CHAINCASE

Type **Carrier 5**
 Motor code **S03**
 Motor position **Front**

SPECIFICATIONS

Voltage **36V**
 Power rating **250W**
 Light output **Yes**
 Brake cut off support **Yes**
 BB pedal sensor type **Speed**
 Display protocol **v1 + charge**
 Speed limit **25 km/t**
 Walk-assist **Yes**
 Throttle function **Yes**

WIRING

Motor cable	750 mm	Connector:	9 pin circular
Display cable	1250 mm		V1 + charge
Brake cut off	750+30 mm		02R-JWPF-VSLE-S
Light cable	750+48 mm		02T-JWPF-VSLE-S
Motor connection	Integrated		9 pin circular

TESTS & SPECIFICATION

IP **IP54**
 Certifications **CE / EN 15194 / REACH / ROHS**

BATTERY INFORMATION

Battery type **Chaincase**
 Battery communication **Yes and No**

OPTIONS

Wheel size **26"**

DRIVING MODE

Speed / ECO

MOTOR CODE

S04 (50506)

MOUNTING CHAINCASE

See frame catalogue

COMPATIBLE MOTORS

50275-2

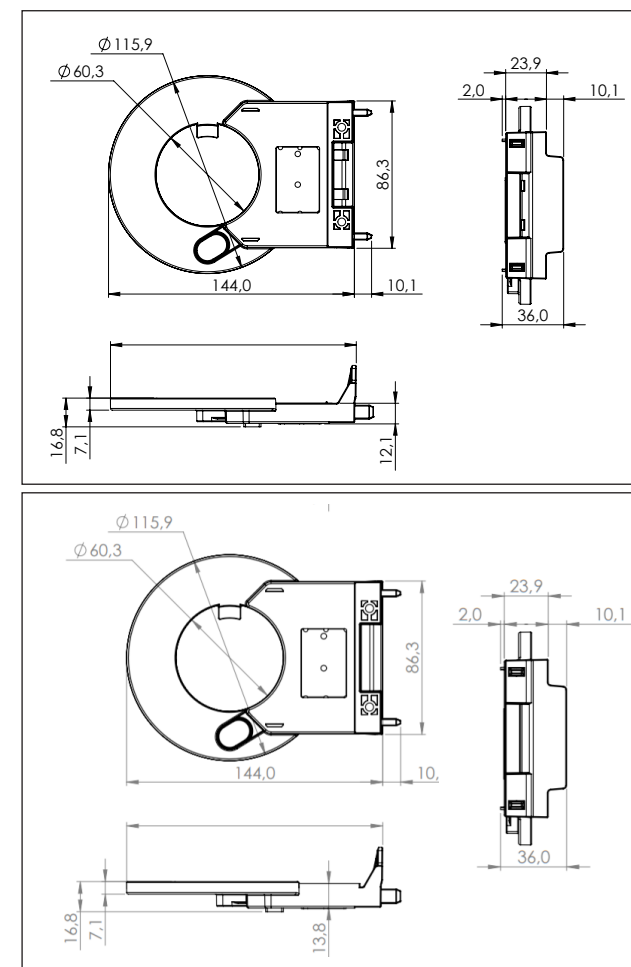
COMPATIBLE DISPLAYS

V1 + charge

COMPATIBLE BATTERIES

**Chaincase: 50246
 50247, 50249**

DIMENSIONS



Promovec A/S
 Brunbjergvej 2
 DK-8240 Risskov

TEL. +45 7027 2623
 FAX. +45 7027 2429
 MAIL info@promovec.dk

Promovec® 
 sustainable e-bikes