

# DISPLAY 50943

## SPECIFICATIONS

Battery	<b>5 steps</b>
Light on/off	<b>4 levels</b>
Walk-assist	<b>Yes</b>
Protocol	<b>Yes</b>
Plug	<b>V1</b>
Color backlight	<b>IP 66</b>
Position	<b>Blue</b>
Wheel size	<b>Left</b>
Wheel size	<b>Adjustable</b>

## ADDITIONAL DATA

Rated voltage	<b>36/48</b>
Weight (g)	<b>70</b>

## MOUNTING PARAMETERS

Handlebar (mm)	<b>Ø21</b>
Cable length (mm)	<b>750 mm</b>
Connector	<b>V1</b>

## INDICATION INFORMATION

Display type	<b>LCD</b>
Capacity indication	<b>Yes</b>
Walk assist	<b>Yes</b>
Backlight	<b>Yes</b>
Error indication	<b>Error codes</b>
Km/MPH	<b>Yes</b>

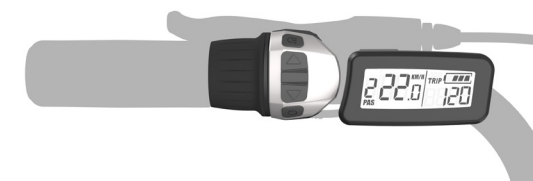
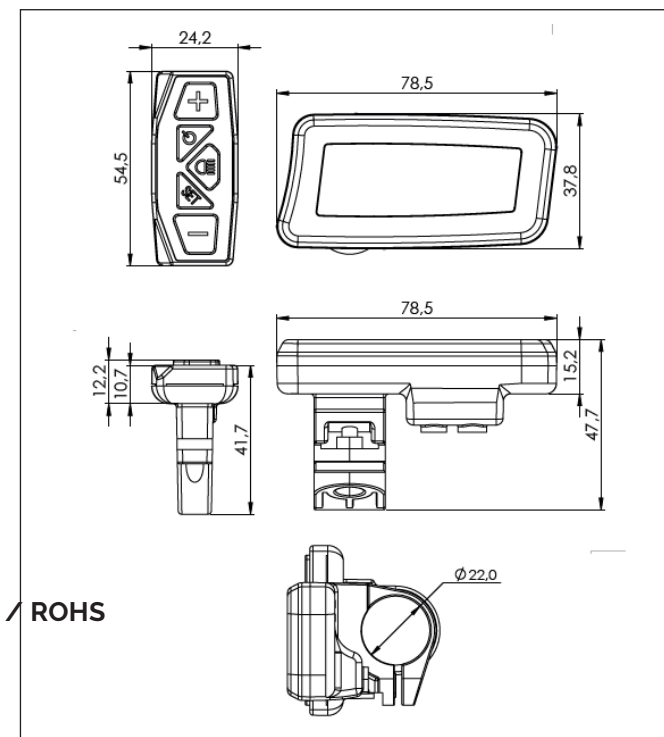
## INTERFACE

Buttons	<b>5</b>
Throttle	<b>Yes</b>

## TESTS & CERTIFICATIONS

IP	<b>IP 65</b>
Certifications	<b>CE / EN 15194 / REACH / ROHS</b>

## DIMENSIONS



Promovec A/S  
Brunbjergvej 2  
DK-8240 Risskov

TEL. +45 7027 2623  
FAX. +45 7027 2429  
MAIL info@promovec.dk

Promovec®   
sustainable e-bikes