

# FRONT MOTOR 50704-BL\*16-POL

## SPECIFICATIONS

Position	<b>Front</b>
Freewheel	<b>Yes</b>
Rated Voltage	<b>36 V</b>
Rated Power	<b>250 W</b>
Max. support bike speed	<b>25 km/h</b>
Max Torque	<b>40 Nm</b>
Efficiency	<b>Min. 85 %</b>
Walk assist function	<b>Yes</b>
Color	<b>Black/silver</b>
Weight	<b>1,9 kg</b>
Operation Temperature	<b>Max. 120°</b>
Wire	<b>IP66 Plug</b>
Max RPM	<b>250 RPM</b>

## FUNCTION

Compatible brake type	<b>V-brake + roller brake</b>
-----------------------	-------------------------------

## TESTS & CERTIFICATIONS

IP classification	<b>IP54</b>
Certifications	<b>CE / EN 15194 / ROHS</b>

## FURTHER SPECIFICATIONS

Compatible Wheel Size	<b>26"-29"</b>
-----------------------	----------------

## MOUNTING PARAMETERS

Fork width	<b>100 mm</b>
Axle diameter	<b>Ø12 mm</b>
Slot width	<b>10 mm</b>

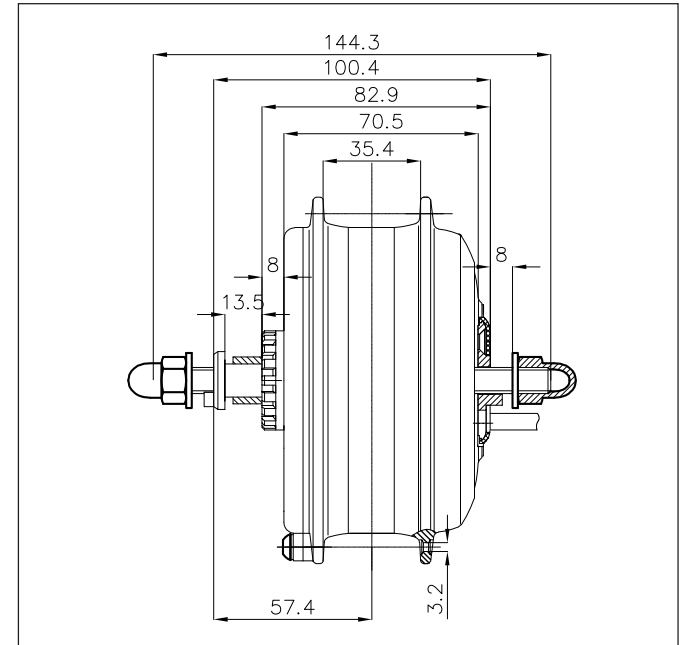
## CABLES & CONNECTOR

Cable length	<b>220 mm</b>
--------------	---------------

## SPOKE SPECIFICATIONS

Flange width	<b>42 mm</b>
Spoke hole center-center	<b>121 mm</b>
Spoke hole diameter	<b>Ø3,2 mm</b>

## DIMENSIONS



Promovec A/S  
Brunbjergvej 2  
DK-8240 Risskov

TEL. +45 7027 2623  
FAX. +45 7027 2429  
MAIL info@promovec.dk

Promovec®   
sustainable e-bikes