

CENTER MOTOR 51348

Specifications

Position	Center
Reverse pedaling	Freewheel
Rated Voltage	36 V
Rated Power	250 W
Max. support bike speed	25 km/h
Max Torque	100 Nm
Efficiency	Min. 85 %
Walk assist function	No
Pedal Sensor	Magnetic torque
Pedal arms	175 mm included
Color	Black
Weight	4,7 kg incl. controller
Operation Temperature	Max. 60°
Wire	IP66 Plug
Max RPM	90 RPM

Function

Gear sensor Function	Yes
Light Output (DCV / W)	6V / 0,4A
Brake cut-off	Yes
Compatible Brake Type	V-brake, Roller brake, Disc brake

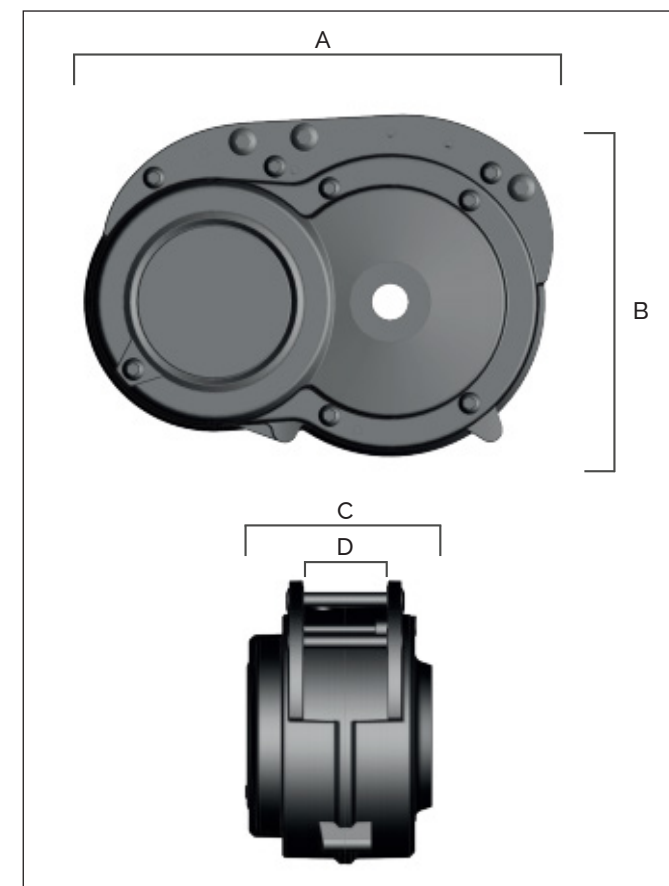
Tests & Certifications

IP classification	IP54
Certifications	CE / EN 15194 / ROHS

Further specifications

Drive	Sprocket
Sprocket size	38-46 teeth or hub for BCD 104 mm sprocket.
Display protocol	V2
Compatible Wheel Size	20"- 29"
Mounting parameters	PM-01
Bracket type	
Cables & connector	
▪ Multi Connector for Wire harness	
▪ Battery connection	
▪ Wheel speed sensor	

DIMENSIONS



A	207,8 mm	C	98,9 mm
B	151,8 mm	D	45 mm

Promovec A/S
Brunbjergvej 2
DK-8240 Risskov

TEL. +45 7027 2623
FAX. +45 7027 2429
MAIL info@promovec.dk

Promovec® 
sustainable e-bikes