

PREMIUM LINE

BY PROMOVEC

# MOTOR 51810

## SPECIFICATIONS

|                         |                         |
|-------------------------|-------------------------|
| Position                | Center                  |
| Reverse pedaling        | Free                    |
| Rated Voltage           | 36 V                    |
| Rated Power             | 250 W                   |
| Max. support bike speed | 25 km/h                 |
| Max Torque              | 100 Nm                  |
| Efficiency              | Min. 85 %               |
| Walk assist function    | Yes                     |
| Pedal Sensor            | Speed                   |
| Pedal arms              | 175 mm included         |
| Color                   | Black                   |
| Weight                  | 4,7 kg incl. controller |
| Operation Temperature   | Max. 120°               |
| Wire                    | IP66 Plug               |
| Max RPM                 | 90 RPM                  |

## FUNCTION

|                        |                                      |
|------------------------|--------------------------------------|
| Gear sensor Function   | Yes                                  |
| Light Output (DCV / W) | 3V / 0,4A                            |
| Brake cut-off          | Yes                                  |
| Compatible Brake Type  | V-brake, Roller brake,<br>Disc brake |

## FURTHER SPECIFICATIONS

|               |  |
|---------------|--|
| Drive         | Sprocket                                       |
| Sprocket size | 38-46 teeth or hub for<br>BCD 104 mm sprocket. |

|                       |         |
|-----------------------|---------|
| Display protocol      | V2      |
| Compatible Wheel Size | 20"-29" |

## MOUNTING PARAMETERS

|              |       |
|--------------|-------|
| Bracket type | PM-01 |
|--------------|-------|

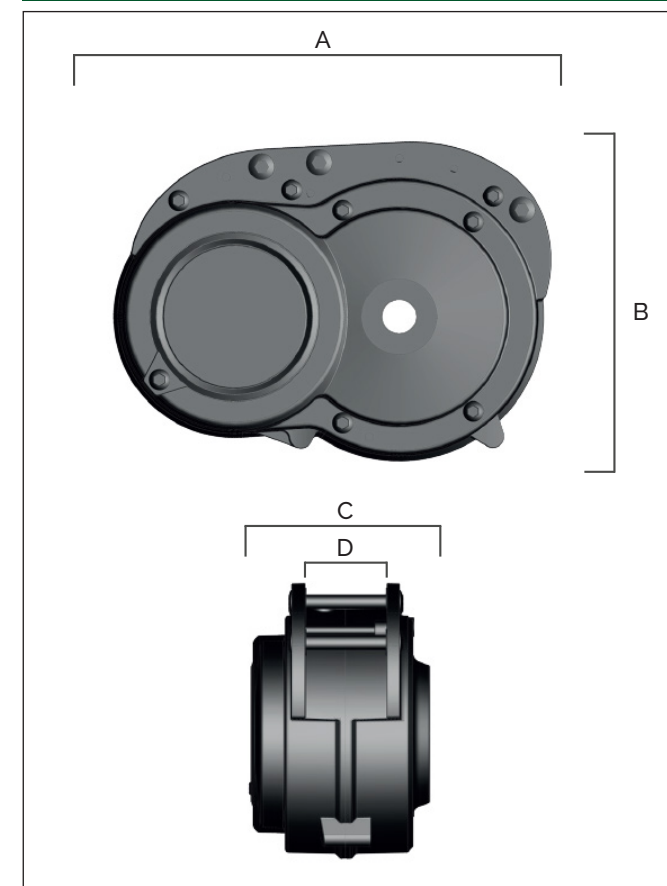
## CABLES & CONNECTOR

- Multi Connector for Wire harness
- Battery connection
- Wheel speed sensor

## TESTS & CERTIFICATIONS

|                   |                      |
|-------------------|----------------------|
| IP classification | IP54                 |
| Certifications    | CE / EN 15194 / ROHS |

## DIMENSIONS



|   |          |   |         |
|---|----------|---|---------|
| A | 207,8 mm | C | 98,9 mm |
| B | 151,8 mm | D | 45 mm   |

Promovec A/S  
Brunbjergvej 2  
DK-8240 Risskov

TEL. +45 7027 2623  
FAX. +45 7027 2429  
MAIL info@promovec.dk

Promovec®   
sustainable e-bikes