

# REAR MOTOR 50609-1-BL

## SPECIFICATIONS

|                         |                            |
|-------------------------|----------------------------|
| Position                | <b>Rear</b>                |
| Freewheel               | <b>Yes</b>                 |
| Rated voltage           | <b>36 V</b>                |
| Rated power             | <b>250 W</b>               |
| Max. support bike speed | <b>25 km/h</b>             |
| Max torque              | <b>45 Nm</b>               |
| Efficiency              | <b>Min. 80 %</b>           |
| Walk assist function    | <b>Yes</b>                 |
| Color                   | <b>Black/silver</b>        |
| Weight                  | <b>2,2 kg</b>              |
| Operation temperature   | <b>Max. 120°</b>           |
| Wire                    | <b>IP66 Plug</b>           |
| Max RPM                 | <b>250 RPM</b>             |
| Wheel speed sensor      | <b>Integrated</b>          |
| Type                    | <b>BLDC w. hall sensor</b> |

## FUNCTION

|                       |                       |
|-----------------------|-----------------------|
| Compatible brake type | <b>Disc / V-brake</b> |
|-----------------------|-----------------------|

## TESTS & CERTIFICATIONS

|                   |                             |
|-------------------|-----------------------------|
| IP classification | <b>IPX5</b>                 |
| Certifications    | <b>CE / EN 15194 / ROHS</b> |

## MOUNTING PARAMETERS

|               |               |
|---------------|---------------|
| Fork width    | <b>100 mm</b> |
| Axle diameter | <b>Ø12 mm</b> |
| Slot width    | <b>10 mm</b>  |

## CABLES & CONNECTOR

|              |                  |
|--------------|------------------|
| Cable length | <b>220 mm</b>    |
| Connector    | <b>IP66 Plug</b> |

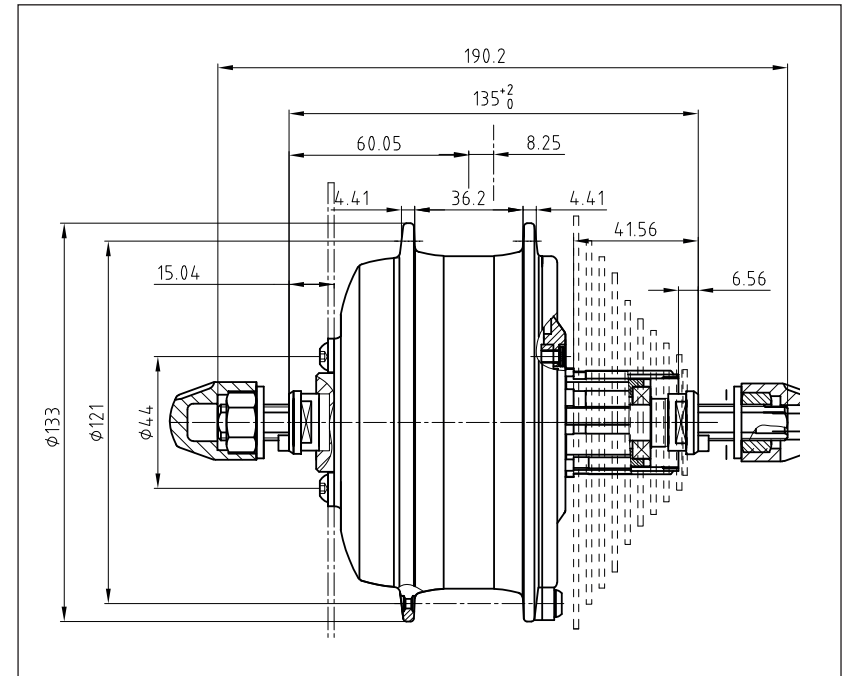
## SPOKE SPECIFICATIONS

|                          |                |
|--------------------------|----------------|
| Flange width             | <b>36,2 mm</b> |
| Spoke hole center-center | <b>121 mm</b>  |
| Spoke hole diameter      | <b>Ø3,2 mm</b> |

## FURTHER SPECIFICATIONS

|                       |  |
|-----------------------|--|
| Compatible wheel size | <b>26"-29"</b>                             |
| Rear sprocket         | <b>Cassette Shimano<br/>8, 9, 10 speed</b> |

## DIMENSIONS



Promovec A/S  
Brunbjergvej 2  
DK-8240 Risskov

TEL. +45 7027 2623  
FAX. +45 7027 2429  
MAIL info@promovec.dk

Promovec®   
sustainable e-bikes