

CONTROLLER DOWNTUBE 2

Type **Downtube 2**
 Motor position **Front + mid + rear**

SPECIFICATIONS

Voltage **36V**
 Power rating **250W**
 Light output **6V, 0,3A**
 Brake cut off support **Yes**
 BB pedal sensor type **Speed**
 Display protocol **v1**
 Speed limit **25 km/t**
 Walk-assist **Yes**
 Throttle function **Yes**

WIRING

Battery connection	Length:	Connector:
BB sensor connector	Integrated	
Display connector	Optional	5 pin circular
Brake cut off + light	Optional	V1
Motor connection	Optional	3 pin circular
	Optional	9 pin circular

MOUNTING

Downtube 2
 See frame catalogue for frames

TESTS & SPECIFICATION

IP **IP54**
 Certifications **CE / EN 15194 / REACH / ROHS**

BATTERY INFORMATION

Battery type **Downtube 2**
 Battery communication **No**

OPTIONS

Wheel size **20" 26", 27,5" 28", 29"**
 Driving mode **Speed / ECO**

COMPATIBLE MOTORS

50080-3, 50275-2, 50742, 50710, 50704, 50971, 50609-1-BL, 50750

COMPATIBLE SENSORS

50960, 50920, 50587

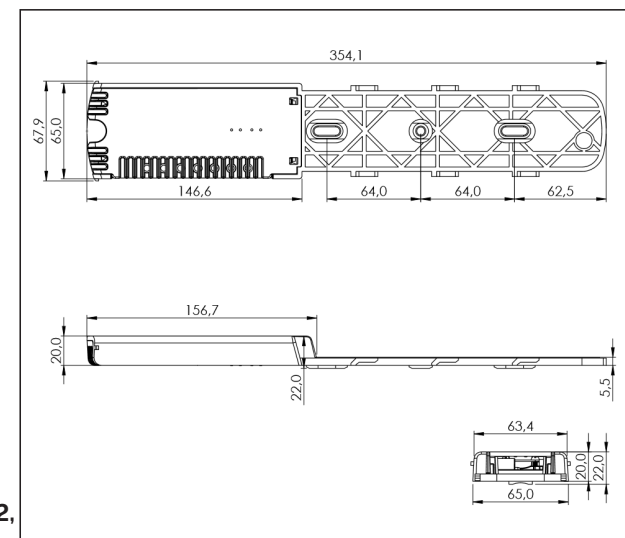
COMPATIBLE DISPLAYS

V1

COMPATIBLE BATTERIES

Downtube 1: 50790, 50791 50793

DIMENSIONS



Promovec A/S
 Brunbjergvej 2
 DK-8240 Risskov

TEL. +45 7027 2623
 FAX. +45 7027 2429
 MAIL info@promovec.dk

Promovec® 
 sustainable e-bikes