

# REAR MOTOR 50971-BL

## SPECIFICATIONS

Position	<b>Rear</b>
Freewheel	<b>Yes</b>
Rated voltage	<b>36 V</b>
Rated power	<b>250 W</b>
Max. support bike speed	<b>25 km/h</b>
Max torque	<b>43 Nm</b>
Efficiency	<b>Min. 80 %</b>
Walk assist function	<b>Yes</b>
Color	<b>Black/silver</b>
Weight	<b>2,2 kg</b>
Operation temperature	<b>Max. 120°</b>
Wire	<b>IP66 Plug</b>
Max RPM	<b>250 RPM</b>
Wheel speed sensor	<b>Integrated</b>
Type	<b>BLDC w. hall sensor</b>

## FUNCTION

Compatible brake type	<b>Disc / V-brake</b>
-----------------------	-----------------------

## TESTS & CERTIFICATIONS

IP classification	<b>IP54</b>
Certifications	<b>CE / EN 15194 / ROHS</b>

## MOUNTING PARAMETERS

Fork width	<b>100 mm</b>
Axle diameter	<b>Ø12 mm</b>
Slot width	<b>10 mm</b>

## CABLES & CONNECTOR

Cable length	<b>220 mm</b>
Connector	<b>IP66 Plug</b>

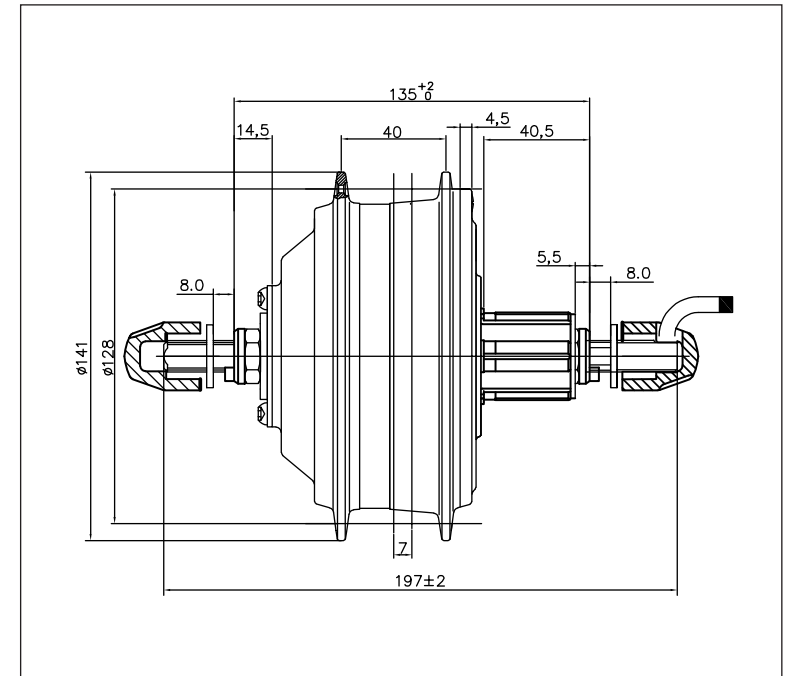
## SPOKE SPECIFICATIONS

Flange width	<b>36,2 mm</b>
Spoke hole center-center	<b>121 mm</b>
Spoke hole diameter	<b>Ø3,2 mm</b>

## FURTHER SPECIFICATIONS

Compatible wheel size	<b>26"-29"</b>
Rear sprocket	<b>Cassette Shimano 8, 9, 10 speed</b>

## DIMENSIONS



Promovec A/S  
Brunbjergvej 2  
DK-8240 Risskov

TEL. +45 7027 2623  
FAX. +45 7027 2429  
MAIL info@promovec.dk

Promovec®   
sustainable e-bikes