

# CONTROLLER FOR CHAINCASE

Type	Carrier 5
Motor code	S03
Motor position	Front

## SPECIFICATIONS

Voltage	36V
Power rating	250W
Light output	Yes
Brake cut off support	Yes
BB pedal sensor type	Speed
Display protocol	v1 + charge
Speed limit	25 km/t
Walk-assist	Yes
Throttle function	Yes

## WIRING

Motor cable	Length: 750 mm	Connector: 9 pin circular
Display cable	1250 mm	V1 + charge
Brake cut off	750+30 mm	O2R-JWPF-VSLE-S
Light cable	750+48 mm	O2T-JWPF-VSLE-S

## TESTS & SPECIFICATION

IP	IP54
Certifications	CE / EN 15194 / REACH / ROHS

## BATTERY INFORMATION

Battery type	Chaincase
Battery communication	Yes and No

## OPTIONS

Wheel size	26"
------------	-----

## DRIVING MODE

Speed / ECO

## MOTOR CODE

S04 (50506)

## MOUNTING CHAINCASE

See frame catalogue

## COMPATIBLE MOTORS

50275-2

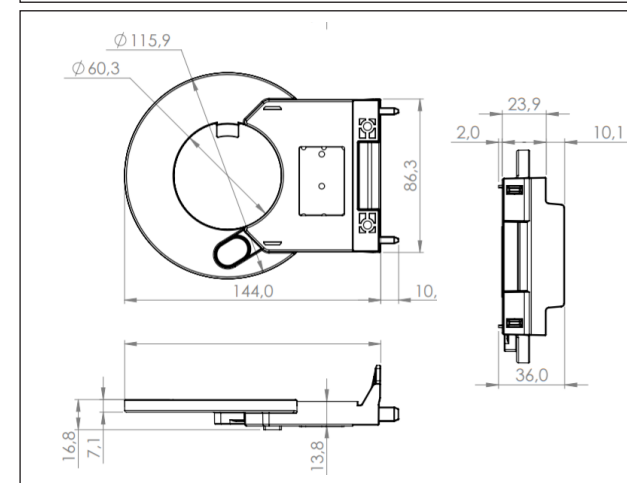
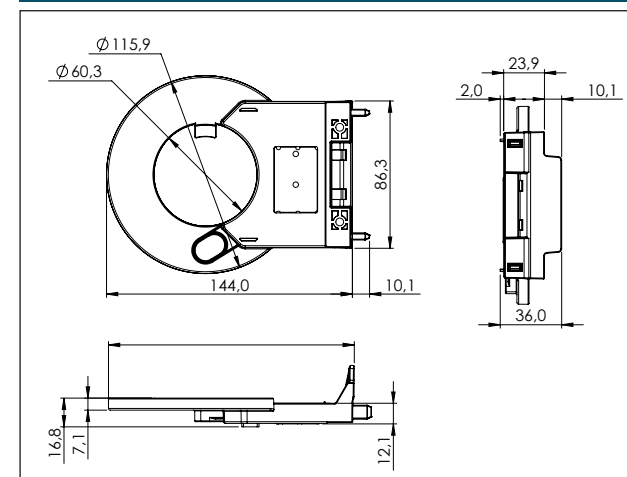
## COMPATIBLE DISPLAYS

V1 + charge

## COMPATIBLE BATTERIES

Chaincase: 50246,  
50247, 50249

## DIMENSIONS



Promovec A/S  
Brunbjergvej 2  
DK-8240 Risskov

TEL. +45 7027 2623  
FAX. +45 7027 2429  
MAIL [info@promovec.dk](mailto:info@promovec.dk)

Promovec®   
sustainable e-bikes