

# CONTROLLER DOWNTUBE 1

Type **Downtube 1**  
 Motor position **Front + rear**

## SPECIFICATIONS

Voltage **36V**  
 Power rating **250W**  
 Light output **6V, 0,4A**  
 Brake cut off support **Yes**  
 BB pedal sensor type **Speed**  
 Display protocol **v1**  
 Speed limit **25 km/t**  
 Walk-assist **Yes**  
 Throttle function **Yes**

## WIRING

Battery connection	<b>Length:</b> Integrated	<b>Connector:</b>
BB sensor connector	<b>Integrated</b>	<b>5 pin circular</b>
Display connector	<b>Integrated</b>	<b>V1</b>
Brake cut off + light	<b>Integrated</b>	<b>3 pin circular</b>
Motor connection	<b>Integrated</b>	<b>9 pin circular</b>

## MOUNTING

Downtube **50630**  
 Downtube 1 frame from catalogue

## TESTS & SPECIFICATION

IP **IP54**  
 Certifications **CE / EN 15194 / REACH / ROHS**

## BATTERY INFORMATION

Battery type **Downtube 1**  
 Battery communication **Yes and No**

## OPTIONS

Wheel size **26", 28", 29"**  
 Driving mode **Speed / ECO**

**COMPATIBLE MOTORS** 50080-3, 50275-2,  
 50742, 50710, 50704,  
 50971, 50609-1-BL,  
 50750

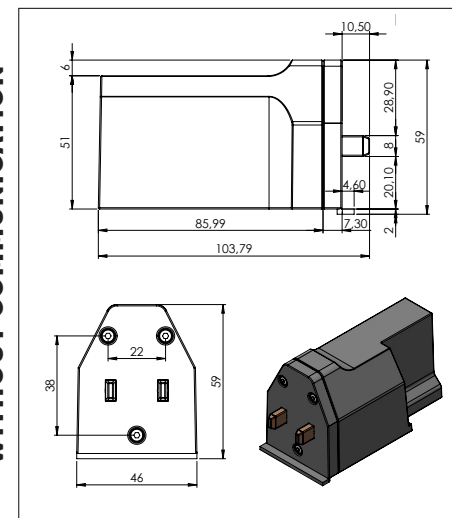
**COMPATIBLE SENSORS** 50960, 50920, 50587

**COMPATIBLE DISPLAYS** V1

**COMPATIBLE BATTERIES** Downtube 1: 50762,  
 50757, 50759

## DIMENSIONS

WITHOUT COMMUNICATION



WITH COMMUNICATION

