

CONTROLLER CARRIER 6-XL

Type	Carrier 6
Motor position	Front + rear

SPECIFICATIONS

Voltage	36V
Power rating	250W
Light output	6V, 0,4 A
Brake cut off support	Yes
BB pedal sensor type	Speed
Display protocol	v1
Speed limit	25 km/t
Walk-assist	Yes
Throttle function	Yes

WIRING

Motor cable	Length:	Connector:
BB sensor cable	Integrated	9 pin circular
Display cable	Integrated	5 pin circular
Brake cut off + light cable	Integrated	V1
		3-pin circular

TESTS & SPECIFICATION

IP	IP54
Certifications	CE / EN 15194 / REACH / ROHS

BATTERY INFORMATION

Battery type	UART
Battery communication	Yes

OPTIONS

Wheel size	26", 28", 29"
Driving mode	Speed / ECO

COMPATIBLE MOTORS

50080-3, 50275-2,
50742, 50710, 50704,
50971, 50609-1-BL,
50750

COMPATIBLE SENSORS

50960, 50920, 50587

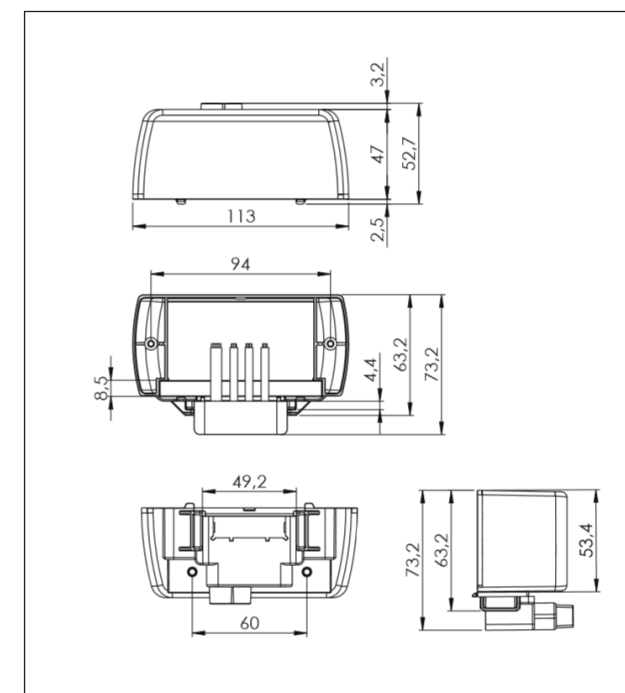
COMPATIBLE DISPLAYS

V1

COMPATIBLE BATTERIES

50638-BL-C-36V,
50663-BL-C,
50774-BL-C-36V,
50775-BL-C-36V,
50776-BL-C-36V,
50789-BL-C-36V

DIMENSIONS



Promovec A/S
Brunbjergvej 2
DK-8240 Risskov

TEL. +45 7027 2623
FAX. +45 7027 2429
MAIL info@promovec.dk

Promovec® 
sustainable e-bikes