

# CHAINCASE BATTERY

## SPECIFICATIONS

Rated voltage	36 V
Com. Protocol	RS-485/UART
BMS	Smart BMS
Voltage scope (V)	31 - 42V
Charge mode	CC-CV (Type A Promovec charger)
Operation temperature charge	0°C - 45°C

## MOUNTING PARAMETER

Position	Chaincase
Weight (kg)	1,9
Controller position	Center (chaincase)
Charger	Promovec charger, Small circular

## MOUNTING

Chaincase	50630 (see frame catalogue)
-----------	-----------------------------

## BATTERY OPTIONS

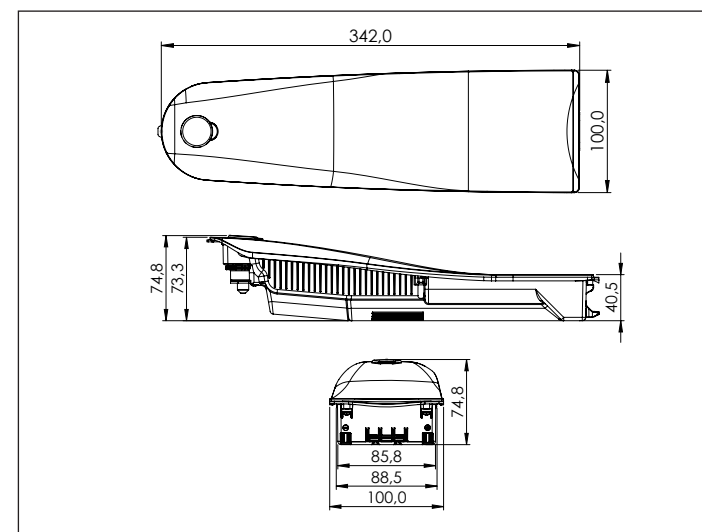
PART NO.	NAME	CAPACITY
50246-C	CC	9,6Ah, 36V, 345Wh

Available in different colors.

## TESTS & CERTIFICATIONS

IP	IP 65
Certifications	CE / EN 15194 ROHS / REACH UN 38,3, MSDS

## DIMENSIONS



Promovec A/S  
Brunbjergvej 2  
DK-8240 Risskov

TEL. +45 7027 2623  
FAX. +45 7027 2429  
MAIL [info@promovec.dk](mailto:info@promovec.dk)

Promovec®   
sustainable e-bikes