

DISPLAY 50275-2-BL*16POL

SPECIFICATIONS

| | |
|-------------------------|--------------|
| Position | Front |
| Freewheel | Yes |
| Rated Voltage | 36 V |
| Rated Power | 250 W |
| Max. support bike speed | 25 km/h |
| Max Torque | 33 Nm |
| Efficiency | Min. 85 % |
| Walk assist function | Yes |
| Color | Black/silver |
| Weight | 2,2 kg |
| Operation Temperature | Max. 120° |
| Wire | IP66 Plug |
| Max RPM | 200 RPM |

FUNCTION

| | |
|-----------------------|---------|
| Compatible brake type | V-brake |
|-----------------------|---------|

TESTS & CERTIFICATIONS

| | |
|-------------------|----------------------|
| IP classification | IP54 |
| Certifications | CE / EN 15194 / ROHS |

FURTHER SPECIFICATIONS

| | |
|-----------------------|---------|
| Compatible Wheel Size | 26"-29" |
|-----------------------|---------|

MOUNTING PARAMETERS

| | |
|---------------|--------|
| Fork width | 100 mm |
| Axle diameter | Ø12 mm |
| Slot width | 10 mm |

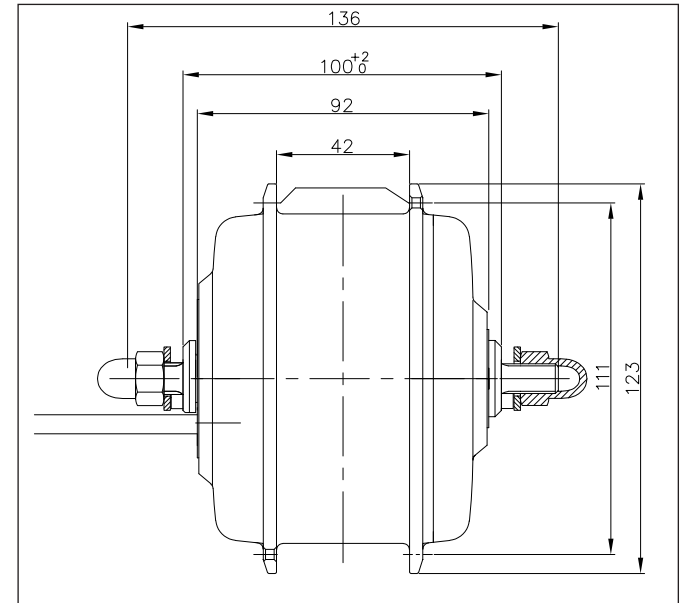
CABLES & CONNECTOR

| | |
|--------------------|---------|
| Cable length | 180 mm |
| Total cable length | 2000 mm |

SPOKE SPECIFICATIONS

| | |
|--------------------------|---------|
| Flange width | 42 mm |
| Spoke hole center-center | 124 mm |
| Spoke hole diameter | Ø3,0 mm |

DIMENSIONS



Promovec A/S
Brunbjergvej 2
DK-8240 Risskov

TEL. +45 7027 2623
FAX. +45 7027 2429
MAIL info@promovec.dk

Promovec® 
sustainable e-bikes