

# DISPLAY 50986, CENTER W/BUTTONS

## SPECIFICATIONS

Assist	5 steps
Battery	5 levels
Light on/off	Yes
Walk-assist protocol	No
Plug	V1
Backlight	IP 66
Position	Blue
Wheel size	Center
	Adjustable

## ADDITIONAL DATA

Rated voltage	36/48
Weight (g)	70

## MOUNTING PARAMETERS

Holder (mm)	Ø21, Ø22, Ø25,4, Ø32
Cable length (mm)	750 mm
Connector	V1

## INDICATION INFORMATION

Display type	LCD
Capacity indication	Yes
Walk assist	No
Backlight	Yes
Backlight intensity	Adjustable
Error indication	Error code
Km & MPH	Yes

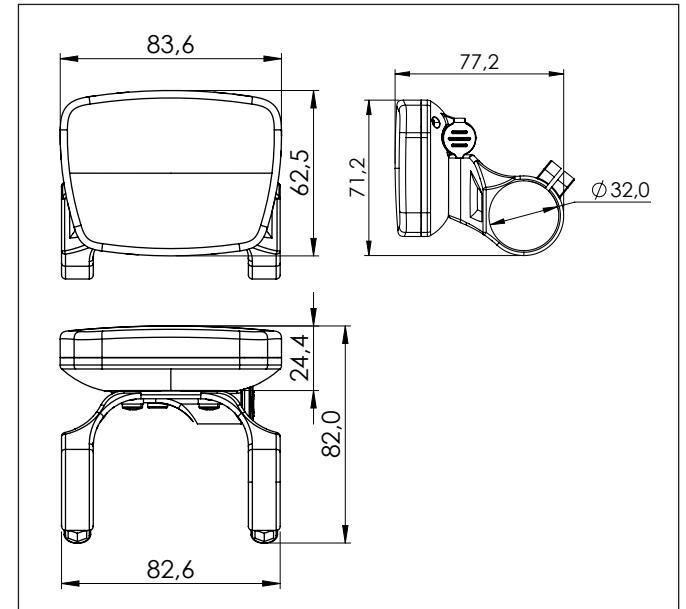
## INTERFACE

Buttons	5
Throttle	No

## TESTS & CERTIFICATIONS

IP	IP 65
Certifications	CE / EN 15194 / REACH / ROHS

## DIMENSIONS



Promovec A/S  
Brunbjergvej 2  
DK-8240 Risskov

TEL. +45 7027 2623  
FAX. +45 7027 2429  
MAIL info@promovec.dk

Promovec®   
sustainable e-bikes