

ENTRY LINE

BY PROMOVEC

# DISPLAY 50987

## SPECIFICATIONS

Assist	<b>5 steps</b>
Battery	<b>5 levels</b>
Light on/off	<b>Yes</b>
Walk-assist protocol	<b>Yes</b>
Plug	<b>V1</b>
Color LED	<b>IP 66</b>
Position	<b>Green</b>
	<b>Left</b>

## ADDITIONAL DATA

Rated voltage	<b>36/48</b>
Weight (g)	<b>70</b>

## MOUNTING PARAMETERS

Holder (mm)	<b>Ø21</b>
Cable length (mm)	<b>100 mm</b>
Connector	<b>V1</b>

## INDICATION INFORMATION

Display type	<b>LED</b>
Capacity indication	<b>Yes</b>
Walk assist	<b>Yes</b>
Backlight	<b>No</b>
Error indication	<b>LED flash</b>

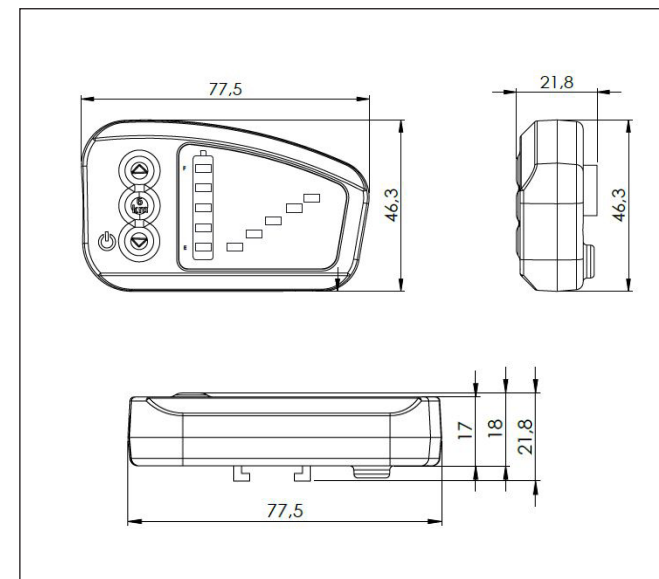
## INTERFACE

Buttons	<b>3</b>
Throttle	<b>No</b>

## TESTS & CERTIFICATIONS

IP	<b>IP 65</b>
Certifications	<b>CE / EN 15194 / REACH / ROHS</b>

## DIMENSIONS



Promovec A/S  
Brunbjergvej 2  
DK-8240 Risskov

TEL. +45 7027 2623  
FAX. +45 7027 2429  
MAIL [info@promovec.dk](mailto:info@promovec.dk)

Promovec®   
sustainable e-bikes