

BY PROMOVEC

CONTROLLER DOWNTUBE 1

Type **Downtube 1**
 Motor code **Front + rear**

SPECIFICATIONS

Voltage **36V**
 Power rating **250W**
 Light output **6V, 0,4A**
 Brake cut off support **Yes**
 BB pedal sensor type **Speed**
 Display protocol **v1**
 Speed limit **25 km/t**
 Walk-assist **Yes**
 Throttle function **Yes**

WIRING

Battery connection **Length: Connector Integrated**
 BB sensor connector **Integrated 5 pin circular**
 Display connector **Integrated V1**
 Brake cut off + light **Integrated 3 pin circular**
 Motor connection **Integrated 9 pin circular**

MOUNTING

Downtube **50630**
 Downtube 1 frame from catalogue

TESTS & SPECIFICATION

IP **IP54**
 Certifications **CE / EN 15194 / REACH / ROHS**

BATTERY INFORMATION

Battery type **Downtube 1**
 Battery communication **Yes and No**

OPTIONS

Wheel size **26", 28", 29"**
 Driving mode **Speed / ECO**

COMPATIBLE MOTORS

50080-3, 50275-2
50742, 50710, 50704
50971, 50609-1-BL
50750

COMPATIBLE SENSORS

50960, 50920, 50587

COMPATIBLE DISPLAYS

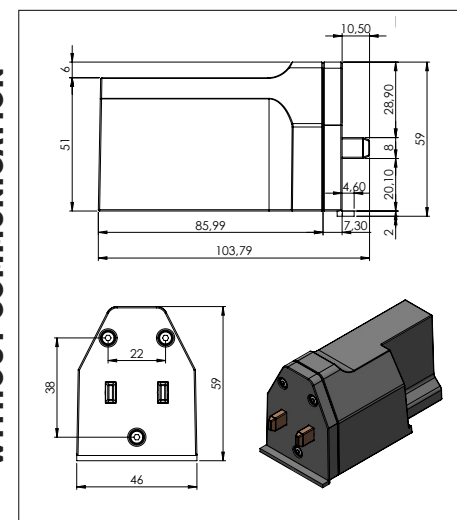
V1

COMPATIBLE BATTERIES

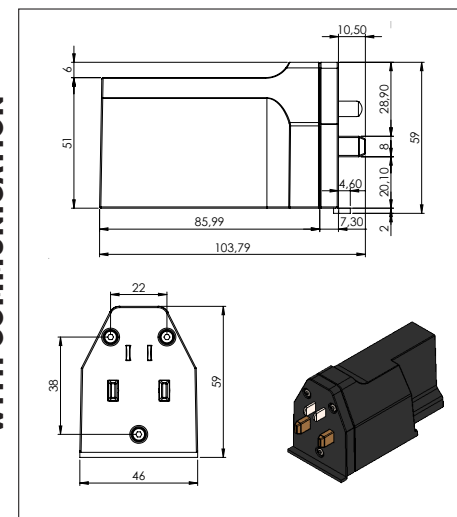
Downtube 1: 50762
50757, 50759

DIMENSIONS

WITHOUT COMMUNICATION



WITH COMMUNICATION



Promovec A/S
 Langdyssen 6
 DK-8200 Aarhus N

TEL. +45 7027 2623
 FAX. +45 7027 2429
 MAIL info@promovec.dk

Promovec® 
 the e-bike solution