

BY PROMOVEC

CONTROLLER CARRIER 4 51100

Type	Carrier 4
Motor code	S07
Motor position	Front / rear

SPECIFICATIONS

Voltage	36V
Power rating	250W
Light output	Yes
Brake cut off support	Yes
BB pedal sensor type	Speed
Display protocol	v1
Speed limit	25 km/t
Walk-assist	Yes
Throttle function	Yes

WIRING

Battery connection	Length:	Connector
Motor cable	Integrated	9 pin circular
BB sensor cable	Integrated	5 pin circular
Display cable	Integrated	V1
Brake cut off + light cable	Integrated	3-pin circular

TESTS & SPECIFICATION

IP	IP54
Certifications	CE / EN 15194 / REACH / ROHS

BATTERY INFORMATION

Battery type	Carrier 4
Battery communication	Yes

OPTIONS

Wheel size	26" (50974-1-26")
------------	--------------------------

DRIVING MODE

Speed/ECO

COMPATIBLE MOTORS

50742

COMPATIBLE SENSORS

50960, 50920, 50587

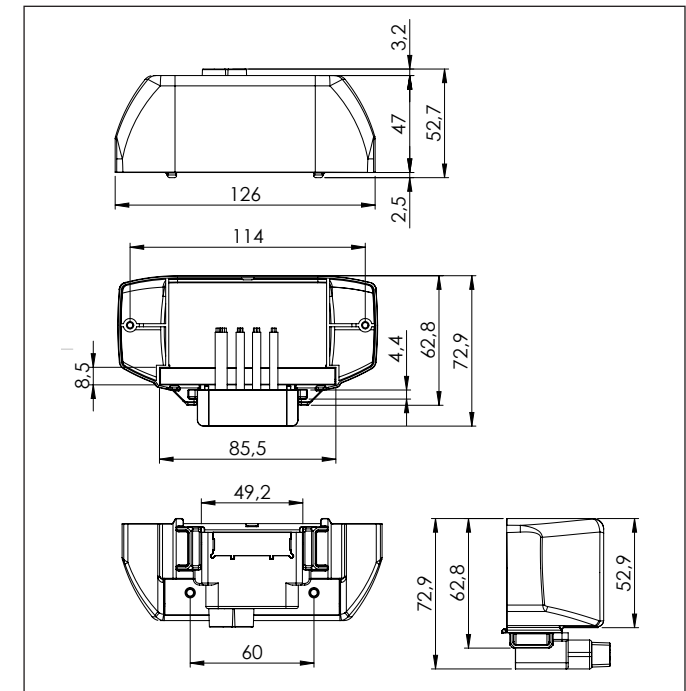
COMPATIBLE DISPLAYS

V1

COMPATIBLE BATTERIES

Carrier 4: 50640-BL, 50784-BL, 50642-BL 50639-BL

DIMENSIONS



Promovec A/S
Langdyssen 6
DK-8200 Aarhus N

TEL. +45 7027 2623
FAX. +45 7027 2429
MAIL info@promovec.dk

Promovec® 
the e-bike solution