

BY PROMOVEC

# FRONT MOTOR 51872

## SPECIFICATIONS

Position	Front
Freewheel	Yes
Rated Voltage	36 V
Rated Power	250 W
Max. support bike speed	25 km/h
Max Torque	33 Nm
Efficiency	Min. 85 %
Walk assist function	Yes
Color	Black/silver
Weight	2.0 kg
Operation Temperature	Max. 120°
Wire	IP66 Plug
Max RPM	250 RPM

## FUNCTION

Compatible brake type	Disc/V-brake
-----------------------	--------------

## TESTS & CERTIFICATIONS

IP classification	IP54
Certifications	CE / EN 15194 / ROHS

## FURTHER SPECIFICATIONS

Compatible Wheel Size	26"-29"
-----------------------	---------

## MOUNTING PARAMETERS

Fork width	100 mm
Axle diameter	Ø12 mm
Slot width	10 mm

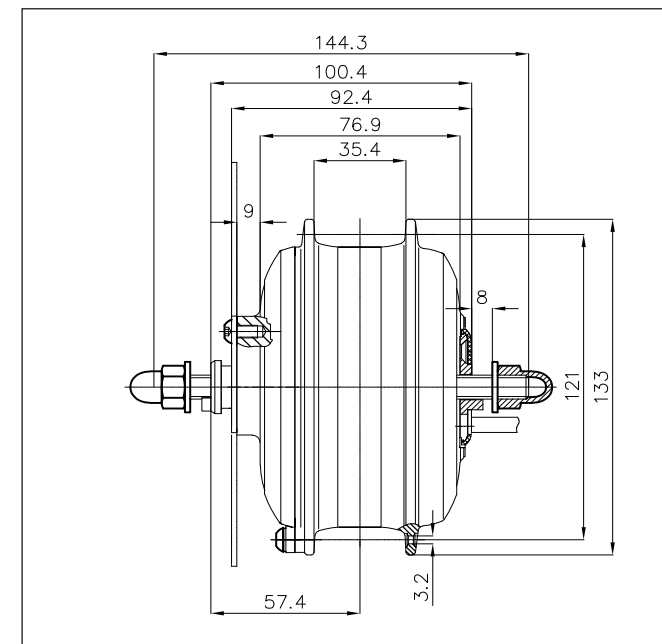
## CABLES & CONNECTOR

Cable length	220 mm
--------------	--------

## SPOKE SPECIFICATIONS

Flange width	42 mm
Spoke hole center-center	121 mm
Spoke hole diameter	Ø3,2 mm

## DIMENSIONS



Promovec A/S  
Langdyssen 6  
DK-8200 Aarhus N

TEL. +45 7027 2623  
FAX. +45 7027 2429  
MAIL info@promovec.dk

Promovec®   
the e-bike solution