

# GRAPHIC DISPLAY D400+ W/THROTTLE 51811

## SPECIFICATIONS

Assist	<b>5 steps</b>
Battery	<b>5 levels</b>
Light on/off	<b>Yes</b>
Walk-assist	<b>Yes</b>
Protocol	<b>V2</b>
Plug	<b>IP 66</b>
Position	<b>Left &amp; Center</b>

## ADDITIONAL DATA

Rated voltage	<b>36V/48V</b>
Weight (g)	<b>50g</b>

## MOUNTING PARAMETERS

Holder (mm)	<b>Ø22, Ø25, Ø32 mm</b>
Cable length (mm)	<b>800 mm*</b>
Connector	<b>V2</b>

## TESTS & CERTIFICATIONS

IP	<b>IP 65</b>
Certifications	<b>CE / EN 15194 /REACH / ROHS</b>

## STANDALONE INTERFACE

Battery capacity	<b>Yes</b>
Assist level	<b>Yes</b>
Walk assist	<b>Yes</b>
Light controls	<b>Yes</b>

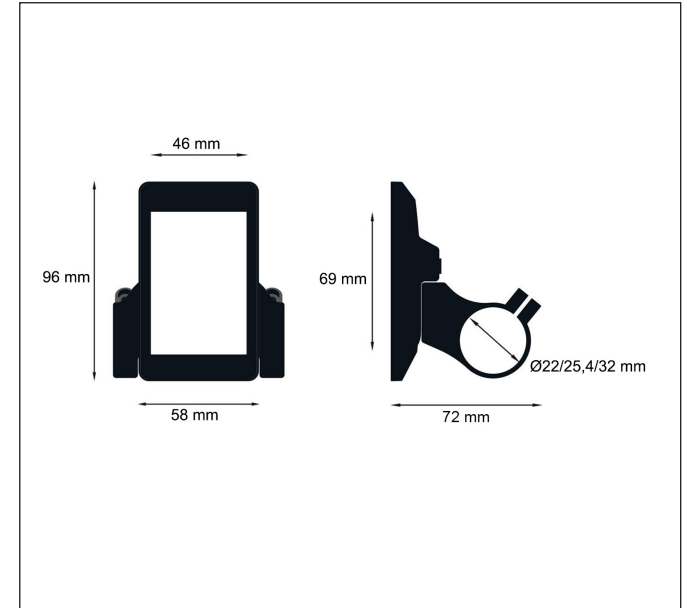
## INTERFACE

Buttons	<b>5</b>
Throttle	<b>Yes</b>

## OPTIONS

With buttons	<b>51812</b>
--------------	--------------

## DIMENSIONS



\*01-08-2021 - Cable length change from 600 mm to 800 mm



Promovec A/S  
Brunbjergvej 2  
DK-8240 Risskov

TEL. +45 7027 2623  
FAX. +45 7027 2429  
MAIL info@promovec.dk

Promovec®   
sustainable e-bikes