

# CONTROLLER CARRIER 6-XL

Type	Carrier 6/XL
Motor position	Front + rear

## SPECIFICATIONS

Voltage	36V
Power rating	250W
Light output	6V, 0,4 A
Brake cut off support	Yes
BB pedal sensor type	Speed
Display protocol	v1
Speed limit	25 km/t
Walk-assist	Yes
Throttle function	Yes

## WIRING

Motor cable	Length:	Connector
BB sensor cable	Integrated	9 pin circular
Display cable	Integrated	5 pin circular
Brake cut off + light cable	Integrated	V1
	Integrated	3-pin circular

## TESTS & SPECIFICATION

IP	IP54
Certifications	CE / EN 15194 / REACH / ROHS

## BATTERY INFORMATION

Battery type	UART
Battery communication	Yes

## OPTIONS

Wheel size	26", 28", 29"
Driving mode	Speed & ECO

## COMPATIBLE MOTORS

50080-3, 50275-2,  
50742, 50710, 50704,  
50971, 50609-1-BL,  
50750

## COMPATIBLE SENSORS

50960, 50920, 50587

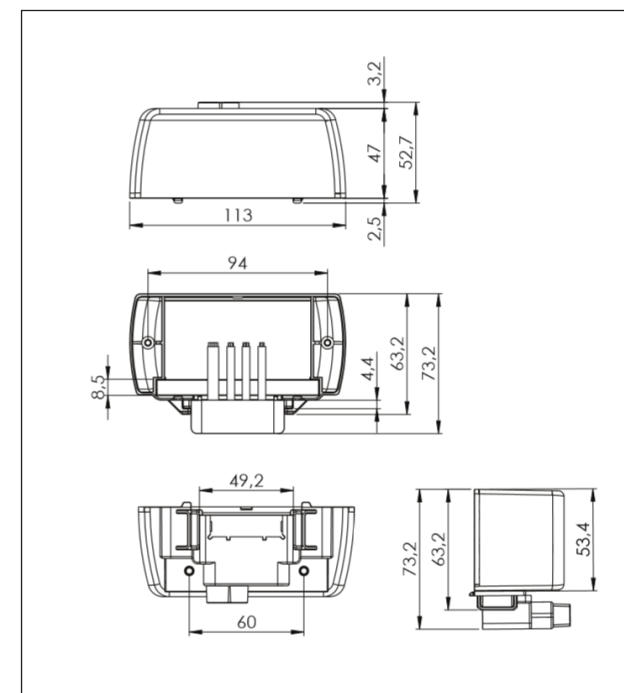
## COMPATIBLE DISPLAYS

V1

## COMPATIBLE BATTERIES

50638-BL-C-36V,  
50663-BL-C,  
50774-BL-C-36V,  
50775-BL-C-36V,  
50776-BL-C-36V,  
50789-BL-C-36V

## DIMENSIONS



Promovec A/S  
Brunbjergvej 2  
DK-8240 Risskov

TEL. +45 7027 2623  
FAX. +45 7027 2429  
MAIL info@promovec.dk

Promovec®   
sustainable e-bikes