

BY PROMOVEC

CONTROLLER CARRIER 4 51100

Type **Carrier 4**
 Motor code **S07**
 Motor position **Front / rear**

SPECIFICATIONS

Voltage **36V**
 Power rating **250W**
 Light output **Yes**
 Brake cut off support **Yes**
 BB pedal sensor type **Speed**
 Display protocol **v1**
 Speed limit **25 km/t**
 Walk-assist **Yes**
 Throttle function **Yes**

WIRING

Battery connection **Length: Integrated**
 Motor cable **Connector: Integrated**
 BB sensor cable **9 pin circular**
 Display cable **5 pin circular**
 Brake cut off + light cable **Integrated V1**
3-pin circular

TESTS & SPECIFICATION

IP **IP54**
 Certifications **CE / EN 15194 / REACH / ROHS**

BATTERY INFORMATION

Battery type **Carrier 4**
 Battery communication **Yes**

OPTIONS

Wheel size **26" (50974-1-26")**

DRIVING MODE

Speed/ECO

COMPATIBLE MOTORS

50742

COMPATIBLE SENSORS

50960, 50920, 50587

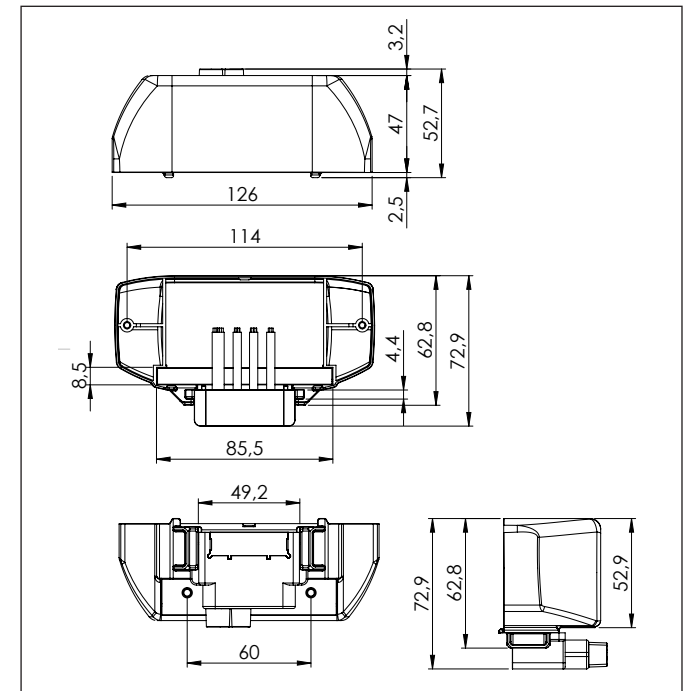
COMPATIBLE DISPLAYS

V1

COMPATIBLE BATTERIES

Carrier 4: 50640-BL, 50784-BL, 50642-BL 50639-BL

DIMENSIONS



Promovec A/S
 Brunbjergvej 2
 DK-8240 Risskov

TEL. +45 7027 2623
 FAX. +45 7027 2429
 MAIL info@promovec.dk

Promovec® 
 sustainable e-bikes