

BY PROMOVEC

FRONT MOTOR 50275-2-BL*16POL

SPECIFICATIONS

Position	Front
Freewheel	Yes
Rated Voltage	36 V
Rated Power	250 W
Max. support bike speed	25 km/h
Max Torque	33 Nm
Efficiency	Min. 85 %
Walk assist function	Yes
Color	Black/silver
Weight	2,2 kg
Operation Temperature	Max. 120°
Wire	IP66 Plug
Max RPM	200 RPM

FUNCTION

Compatible brake type	V-brake
-----------------------	---------

TESTS & CERTIFICATIONS

IP classification	IP54
Certifications	CE / EN 15194 / ROHS

FURTHER SPECIFICATIONS

Compatible Wheel Size	26"-29"
-----------------------	---------

MOUNTING PARAMETERS

Fork width	100 mm
Axle diameter	Ø12 mm
Slot width	10 mm

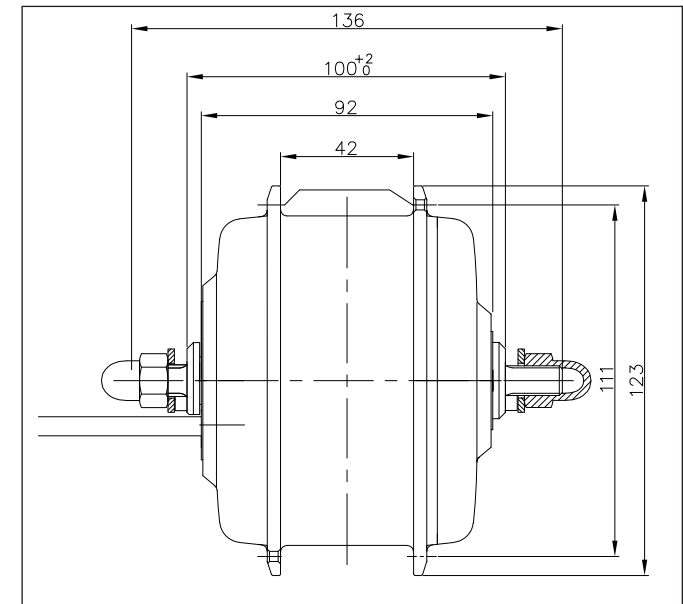
CABLES & CONNECTOR

Cable length	180 mm
Total cable length	2000 mm

SPOKE SPECIFICATIONS

Flange width	42 mm
Spoke hole center-center	124 mm
Spoke hole diameter	Ø3,0 mm

DIMENSIONS



Promovec A/S
Brunbjergvej 2
DK-8240 Risskov

TEL. +45 7027 2623
FAX. +45 7027 2429
MAIL info@promovec.dk

Promovec® 
sustainable e-bikes