

# DOWNTUBE 2 BATTERY

## SPECIFICATIONS

Rated voltage	<b>36 V</b>
Com. Protocol	<b>RS-485/UART</b>
BMS	<b>Smart BMS</b>
Voltage scope (V)	<b>31 - 42V</b>
Charge mode	<b>CC-CV (Type A Promovec charger)</b>
Operation temperature charge	<b>0°C - 45°C</b>

## MOUNTING PARAMETER

Position	<b>Downtube</b>
Weight (kg)	<b>2,6 - 2,7</b>
Controller position	<b>Downtube / center</b>
Charger	<b>Promovec charger, Small circular</b>

## MOUNTING

Downtube

See frame catalogue

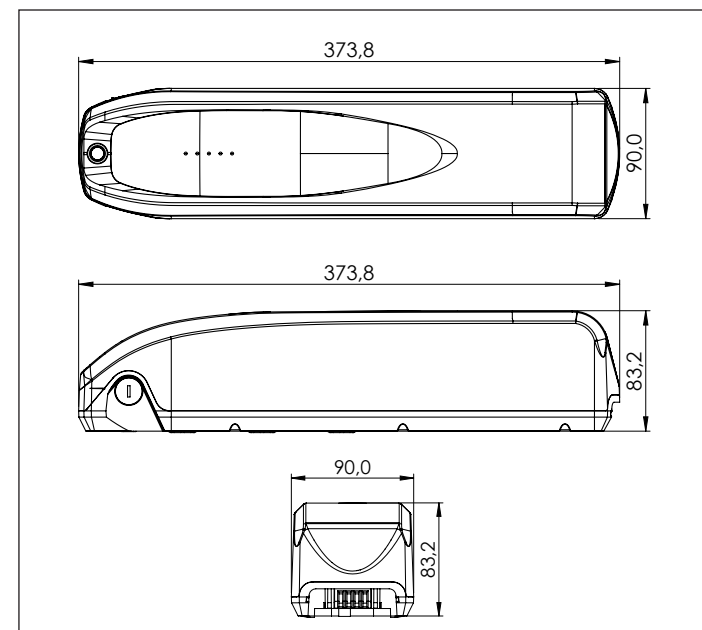
## BATTERY OPTIONS

Part No.	Name	Capacity
50790-BL	DT2	8,8Ah, 36V, 316Wh
50791-BL	DT2	10,4Ah, 36V, 374Wh
50793-BL	DT2	12,8Ah, 36V, 482Wh

## TESTS & CERTIFICATIONS

IP	<b>IP 65</b>
Certifications	<b>CE / EN 15194/ ROHS / REACH UN 38,3, MSDS</b>

## DIMENSIONS



Promovec A/S  
Brunbjergvej 2  
DK-8240 Risskov

TEL. +45 7027 2623  
FAX. +45 7027 2429  
MAIL [info@promovec.dk](mailto:info@promovec.dk)

Promovec®   
sustainable e-bikes