

CONNECT+ 51206

SPECIFICATIONS

Assist	5 steps
Battery	5 levels
Light on/off	Yes
Walk-assist	Yes
Protocol	V2
Plug	IP 66
Position	Left + Right

ADDITIONAL DATA

Rated voltage	36V
Weight (g)	50g

MOUNTING PARAMETERS

Holder (mm)	Ø22mm
Cable length (mm)	750 mm
Connector	V2

TEST & CERTIFICATION

Bluetooth	Proprietary Protocol
Certifications	CE/EN 15194/REACH /ROHS/RED

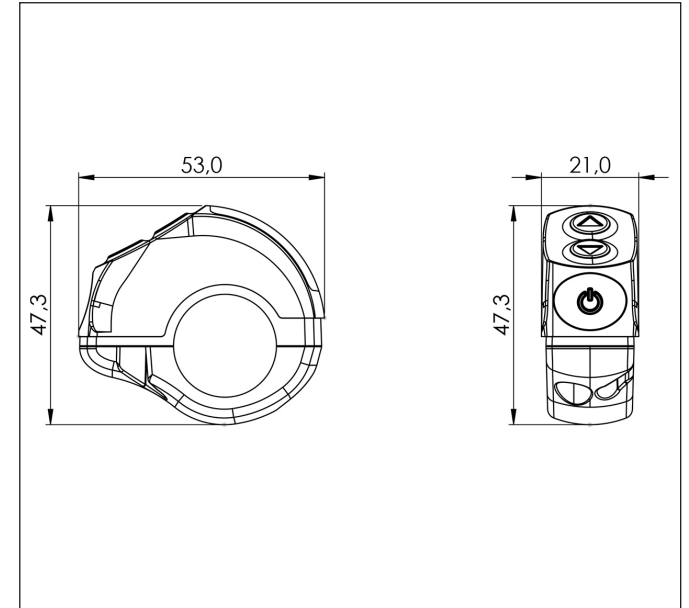
STANDALONE INTERFACE

Battery capacity	LED
Assist level	LED
Walk assist	Yes
Light controls	Yes

INTERFACE

Buttons	
BLUETOOTH	Yes
IPHONE	>iOS 10.2
ANDROID	>4.4
WINDOWS PHONE	Not supported

DIMENSIONS



Promovec A/S
Brunbjergvej 2
DK-8240 Risskov

TEL. +45 7027 2623
FAX. +45 7027 2429
MAIL info@promovec.dk

Promovec® 
sustainable e-bikes