

REAR MOTOR - 50752-BL

SPECIFICATIONS

| | |
|-------------------------|---------------------|
| Position | Rear |
| Freewheel | Yes |
| Rated voltage | 48 V |
| Rated power | 1000 W |
| Max. support bike speed | 25 km/h |
| Max torque | 90 Nm |
| Efficiency | Min. 80 % |
| Walk assist function | Yes |
| Color | Black/silver |
| Weight | 5,0 kg |
| Operation temperature | Max. 120° |
| Max RPM | 250 RPM |
| Wheel speed sensor | Integrated |
| Type | BLDC w. hall sensor |

FUNCTION

| | |
|-----------------------|----------------|
| Compatible brake type | Disc / V-brake |
|-----------------------|----------------|

TESTS & CERTIFICATIONS

| | |
|-------------------|-------------------------|
| IP classification | IP54 |
| Certifications | CE / EN 15194 / ROHS |

MOUNTING PARAMETERS

| | |
|---------------|--------|
| Fork width | 142 mm |
| Axle diameter | Ø12 mm |
| Slot width | 10 mm |

CABLES & CONNECTOR

| | |
|--------------------|-----------|
| Cable length | 220 mm |
| Total cable length | IP66 Plug |

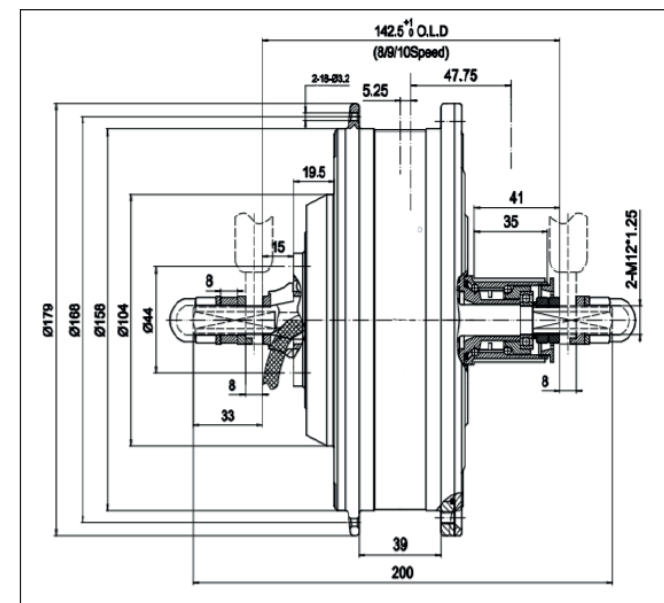
SPOKE SPECIFICATIONS

| | |
|--------------------------|--------------|
| Flange width | 39 mm |
| Spoke hole center-center | 168 mm |
| Spoke hole diameter | Ø2,18-3,2 mm |

FURTHER SPECIFICATIONS

| | |
|-----------------------|------------------------------------|
| Compatible Wheel Size | 24"-29" |
| Rear sprocket | Cassette Shimano 8, 9, 10 speed |

DIMENSIONS



Promovec A/S
Brunbjergvej 2
DK-8240 Risskov

TEL. +45 7027 2623
FAX. +45 7027 2429
MAIL info@promovec.dk

Promovec® 
sustainable e-bikes