

# CENTER MOTOR 51348

## SPECIFICATIONS

Position	<b>Center</b>
Reverse pedaling	<b>Freewheel</b>
Rated Voltage	<b>36 V</b>
Rated Power	<b>250 W</b>
Support bike speed	<b>Optional</b>
Max Torque	<b>100 Nm</b>
Efficiency	<b>Min. 85 %</b>
Walk assist function	<b>Yes</b>
Pedal Sensor	<b>Magnetic torque</b>
Pedal arms	<b>175 mm included</b>
Color	<b>Black</b>
Weight	<b>4,7 kg incl. controller</b>
Operation Temperature	<b>Max. 60°</b>
Wire	<b>IP66 Plug</b>
Max RPM	<b>90 RPM</b>

## TESTS & CERTIFICATIONS

IP classification	<b>IP54</b>
Certifications	<b>CE / EN 15194 / ROHS</b>

## FURTHER SPECIFICATIONS

Drive	<b>Sprocket</b>
Sprocket size	<b>38-46 teeth or hub for BCD 104 mm sprocket.</b>
Display protocol	<b>V2</b>
Compatible Wheel Size	<b>20"-29"</b>

## MOUNTING PARAMETERS

Bracket type	<b>PM-01</b>
--------------	--------------

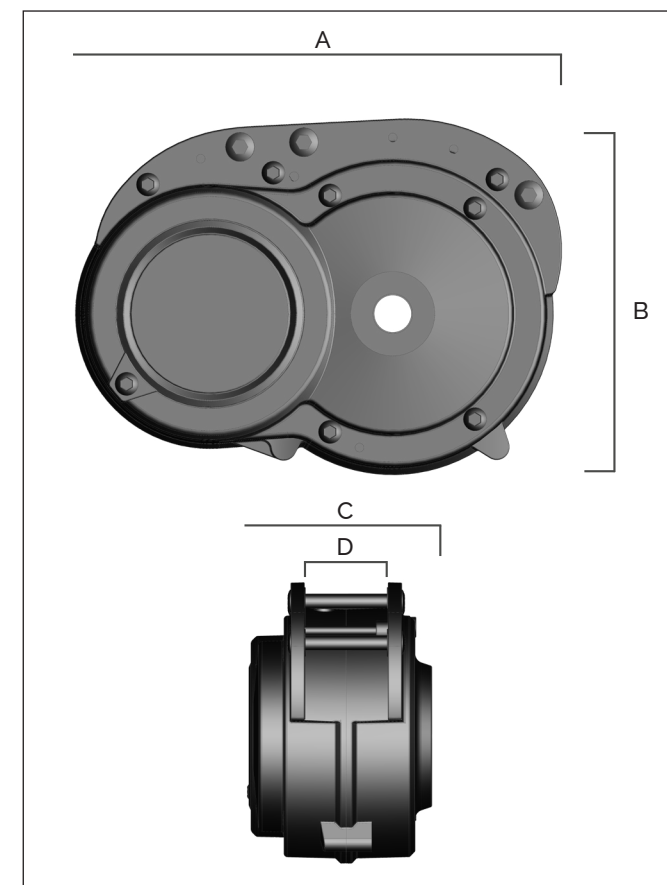
## CABLES AND CONNECTOR

Multi Connector for	
Wire harness	
Battery connection	
Wheel speed sensor	

## FUNCTION

Gear sensor Function	<b>Yes</b>
Light Output (DCV / W)	<b>6V / 0,4A</b>
Brake cut-off	<b>Yes</b>
Compatible Brake Type	<b>V-brake, Roller brake, Disc brake</b>

## DIMENSIONS



Promovec A/S  
Brunbjergvej 2  
DK-8240 Risskov

TEL. +45 7027 2623  
FAX. +45 7027 2429  
MAIL info@promovec.dk

Promovec®   
sustainable e-bikes