

# FRONT MOTOR - 50080-3-BL

## SPECIFICATIONS

Position	Front
Freewheel	Yes
Rated Voltage	36 V
Rated Power	250 W/500W (US/CAN)
Max. support bike speed	25-32 km/h
Max Torque	38 Nm
Efficiency	Min. 85 %
Walk assist function	Yes
Color	Black/silver
Weight	3,0 kg
Operation Temperature	Max. 120°
Wire	IP66 Plug
Max RPM	200 RPM
Wheel speed sensor	Integrated
Type	BLDC w. hall sensor

## FUNCTION

Compatible brake type	V-brake
-----------------------	---------

## TESTS & CERTIFICATIONS

IP classification	IP54
Certifications	CE / EN 15194 / ROHS

## FURTHER SPECIFICATIONS

Compatible Wheel Size	26"-29"
-----------------------	---------

## MOUNTING PARAMETERS

Fork width	100 mm
Axle diameter	Ø12 mm
Slot width	10 mm

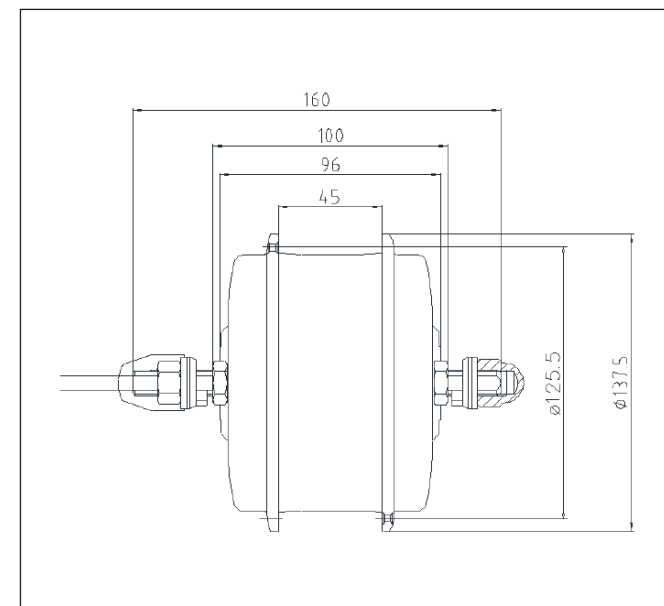
## CABLES & CONNECTOR

Cable length	180 mm
--------------	--------

## SPOKE SPECIFICATIONS

Flange width	45 mm
Spoke hole center-center	125,5 mm
Spoke hole diameter	Ø3,2 mm

## DIMENSIONS



Promovec A/S  
Brunbjergvej 2  
DK-8240 Risskov

TEL. +45 7027 2623  
FAX. +45 7027 2429  
MAIL info@promovec.dk

Promovec®   
sustainable e-bikes