

PREMIUM LINE

BY PROMOVEC

# MOTOR 50750-BL

## SPECIFICATIONS

Position	Rear
Freewheel	Yes
Rated voltage	36 V
Rated power	250 W/350W (US/CAN)
Max. support bike speed	25-32 km/h
Max torque	43 Nm
Efficiency	Min. 80 %
Walk assist function	Yes
Color	Black/silver
Weight	3,9 kg
Operation temperature	Max. 120°
Max RPM	250 RPM
Wheel speed sensor	Integrated
Type	BLDC w. hall sensor

## FUNCTION

Compatible brake type	Disc / V-brake
-----------------------	----------------

## TESTS & CERTIFICATIONS

IP classification	IP54
Certifications	CE / EN 15194 / ROHS

## MOUNTING PARAMETERS

Fork width	138 mm
Axle diameter	Ø12 mm
Slot width	10 mm

## CABLES & CONNECTOR

Cable length	220 mm
Connector	IP66 Plug

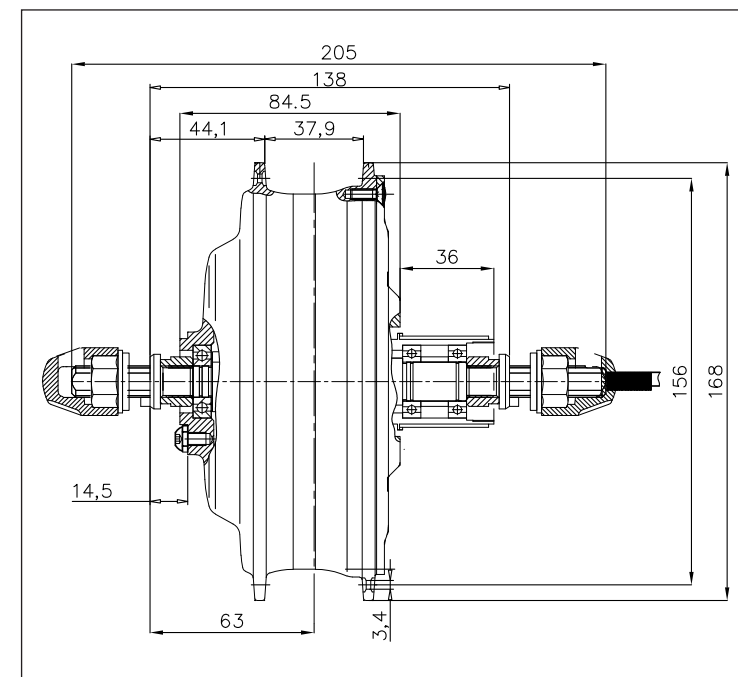
## SPOKE SPECIFICATIONS

Flange width	38 mm
Spoke hole center-center	156 mm
Spoke hole diameter	Ø3,4 mm

## FURTHER SPECIFICATIONS

Compatible wheel size	26"-29"
Rear sprocket	Cassette Shimano 8, 9, 10 speed

## DIMENSIONS



Promovec A/S  
Brunbjergvej 2  
DK-8240 Risskov

TEL. +45 7027 2623  
FAX. +45 7027 2429  
MAIL info@promovec.dk

Promovec®   
sustainable e-bikes