

CONTROLLER DOWNTUBE 1

Type **Downtube 1**
 Motor position **Front + mid + rear**

SPECIFICATIONS

Voltage **36V**
 Power rating **250W**
 Light output **6V, 0,4A**
 Brake cut off support **Yes**
 BB pedal sensor type **Speed**
 Display protocol **v1**
 Speed limit **25 km/t**
 Walk-assist **Yes**
 Throttle function **Yes**

WIRING

Battery connection	Length: Integrated	Connector:
BB sensor connector	Integrated	5 pin circular
Display connector	Integrated	V1
Brake cut off + light	Integrated	3 pin circular
Motor connection	Integrated	9 pin circular

MOUNTING

Downtube **50630**
 Downtube 1 frame from catalogue

TESTS & SPECIFICATION

IP **IP54**
 Certifications **CE / EN 15194 / REACH / ROHS**

BATTERY INFORMATION

Battery type **Downtube 1**
 Battery communication **Yes**

OPTIONS

Wheel size **26", 28", 29"**
 Driving mode **Speed / ECO**

COMPATIBLE MOTORS **50080-3, 50275-2, 50742, 50710, 50704, 50971, 50609-1-BL, 50750**

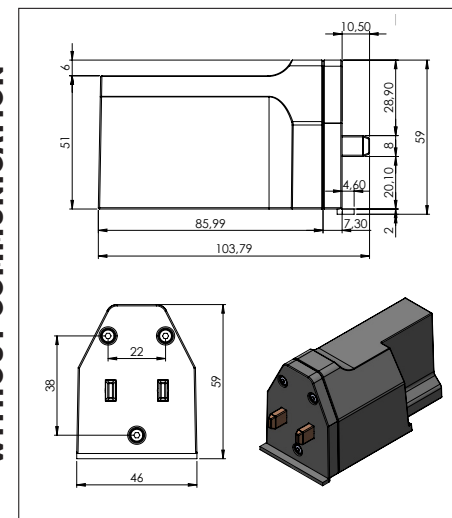
COMPATIBLE SENSORS **50960, 50920, 50587**

COMPATIBLE DISPLAYS **V1**

COMPATIBLE BATTERIES **Downtube 1: 50762, 50757, 50759**

DIMENSIONS

WITHOUT COMMUNICATION



WITH COMMUNICATION

