

CONTROLLER FOR CHAINCASE

Type	Carrier 5
Motor code	S03
Motor position	Front

SPECIFICATIONS

Voltage	36V
Power rating	250W
Light output	Yes
Brake cut off support	Yes
BB pedal sensor type	Speed
Display protocol	v1 + charge
Speed limit	25 km/t
Walk-assist	Yes
Throttle function	Yes

WIRING

Motor cable	Length: 750 mm	Connector: 9 pin circular
Display cable	1250 mm	V1 + charge
Brake cut off	750+30 mm	O2R-JWPF-VSLE-S
Light cable	750+48 mm	O2T-JWPF-VSLE-S

TESTS & SPECIFICATION

IP	IP54
Certifications	CE / EN 15194 / REACH /ROHS

BATTERY INFORMATION

Battery type	Chaincase
Battery communication	No

OPTIONS

Wheel size	26"
------------	-----

DRIVING MODE

Speed / ECO

MOTOR CODE

S04 (50506)

MOUNTING CHAINCASE

See frame catalogue

COMPATIBLE MOTORS

50275-2

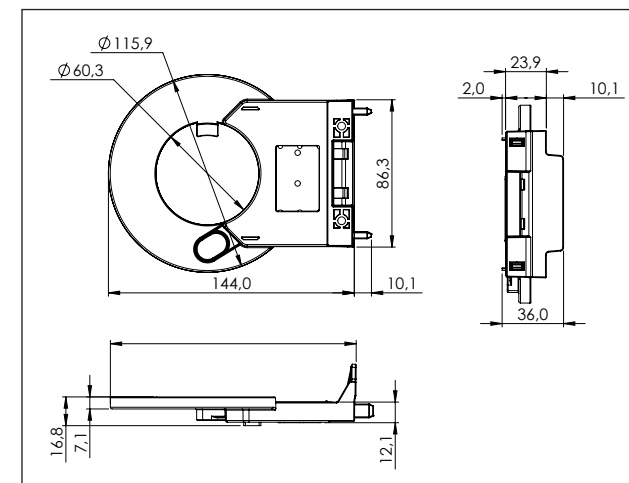
COMPATIBLE DISPLAYS

V1 + charge

COMPATIBLE BATTERIES

Chaincase: 50246,
50247, 50249

DIMENSIONS



Promovec A/S
Brunbjergvej 2
DK-8240 Risskov

TEL. +45 7027 2623
FAX. +45 7027 2429
MAIL info@promovec.dk

Promovec® 
sustainable e-bikes